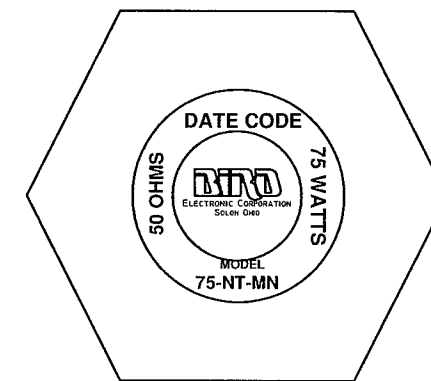
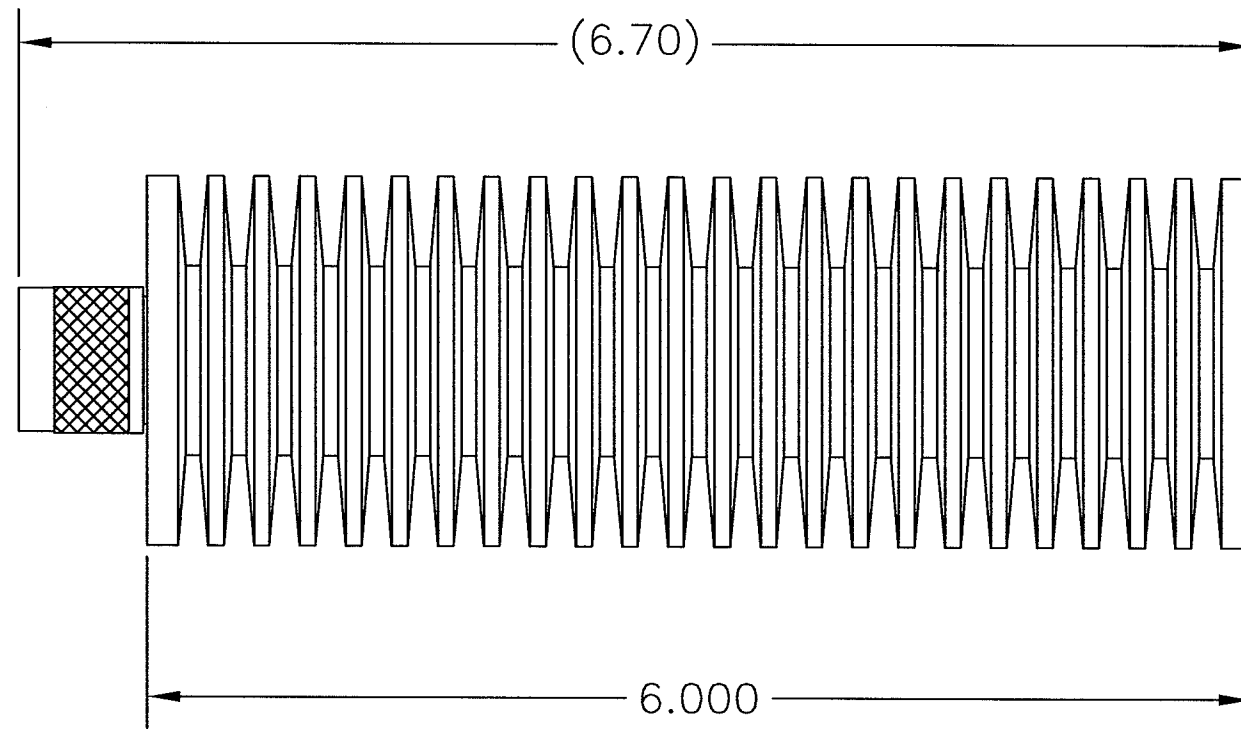
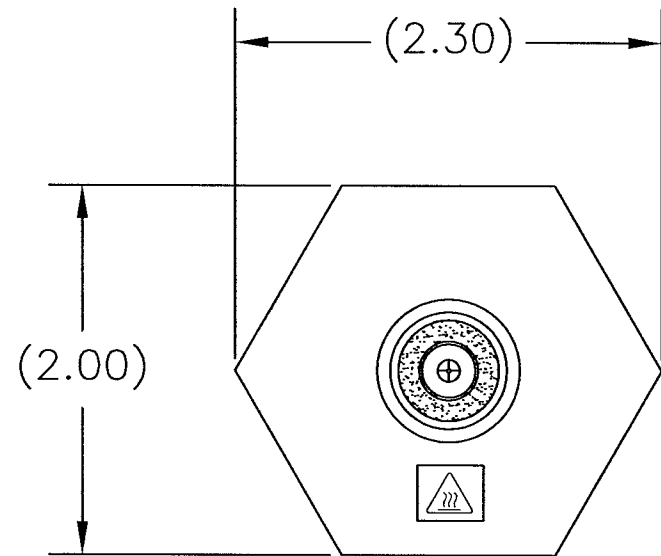


REV A
SHEET 1
DWG NO. 75-NT-MN

SPECIFICATIONS:

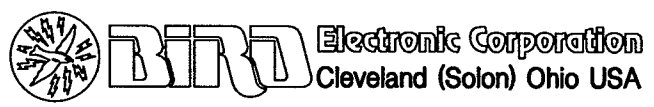
POWER RATING: 75 W MAX. @ 25°C.
 FREQUENCY RANGE & VSWR:
 DC TO 1GHz AT 1.10:1 MAX.
 1GHz TO 3GHz AT 1.15:1 MAX.
 IMPEDANCE: 50 OHMS, NOMINAL
 AMBIENT TEMPERATURE RANGE: -40°C TO +40°C
 CONNECTORS: N-TYPE MALE (TRI-ALLOY PLATED)
 OPERATING POSITION: ANY (CONVECTION COOLED)
 FINISH: BLACK ANODIZED
 NOMINAL SIZE: APPROX. 6.7" L X Ø2.3"
 WEIGHT: APPROX. 1.32 LBS

| REVISIONS | | | | |
|-----------|-----|-----------------------|--------------|------------|
| ZONE | REV | DESCRIPTION | DATE | APPROVED |
| | A | CONVERT TO BEC FORMAT | DMR 10-28-04 | <i>MAC</i> |



UNLESS OTHERWISE SPECIFIED
 DIMENSIONS ARE IN INCHES
 TOLERANCES ARE:
 FRACTIONS DECIMALS ANGLES
 ± 1/64 .XX = ± .010 ± 30'
 .XXX = ± .005
 MILLIMETERS
 .X = ± .4
 .XX = ± .12
 DO NOT SCALE DRAWING

THIS DRAWING IS THE PROPERTY OF THE BIRD ELECTRONIC CORPORATION. THE DESIGNS AND SPECIFICATIONS DISCLOSED HEREON ARE PROPRIETARY AND SHALL NOT BE REPRODUCED, NOR COPIED, NOR USED AS THE BASIS FOR THE MANUFACTURE OR SALE OF APPARATUS OR DEVICES WITHOUT THEIR EXPRESS WRITTEN CONSENT.



| | | | | | |
|----------|------------------------|----------|--|----------------|-------------------|
| MATERIAL | APPROVALS | DATE | TITLE | | |
| FINISH | DRAWN D.M.RINK | 10-28-04 | TERMINATION, CONVECTION COOLED, N-TYPE MALE, AIN SUBSTRATE, 75 W | | |
| | CHECKED <i>MARK V</i> | 10-28-04 | SIZE B | FSCM NO. 70998 | DWG. NO. 75-NT-MN |
| | APPROVED <i>MARK V</i> | 10-28-04 | SCALE 1:1 | COMM CODE LD1 | SHEET 1 OF 1 |
| | | AUTOCAD | | | REV A |